



PROJECT		REF		REV	ITEM CODE	
LOCATION		DATE			PAGE	

SANITARY WARE SPECIFICATION SHEET

Item Descriptions	Bobrick (USA) "Trimline Series" Recessed paper towel dispenser & automatic hand dryer & waste bin (3-in-1 Unit)
Model	B-38031
Material/ Finish	Heavy-Gauge Stainless Steel
Manufacturer	Bobrick Washroom Equipment Inc. (USA)
Supplier	Acme Sanitary Ware Co. Ltd
Contact Tel/Fax	Mr. Eric Wong/ Mr. Don Yuen (852) 2388-7171 / (852) 2710-8012
E-mail	acme@acmesanitary.com.hk
Website	www.acmesanitary.com.hk

MATERIALS:

Cabinet — 18-8, type-304, heavy-gauge stainless steel. All-welded construction. Exposed surfaces have satin finish. The activation sensor mounts on a concealed panel.

Door — 18-8, type-304, 1.2mm (18-gauge) stainless steel. 14mm (9/16") 90° return for maximum rigidity. Secured to cabinet with a concealed, full-length stainless steel piano-hinge. Equipped with a stainless steel cable door-swing limiter and two tumbler locks keyed like other Bobrick washroom accessories.

Paper Towel Dispenser — 18-8, type-304, 0.8mm (22-gauge) stainless steel. Equipped with 90° return towel guide angle to prevent paper towels from falling forward out when door is opened for servicing. Rounded towel tray has hemmed opening to dispense paper towel without tearing. Capacity: 600 multifold or 450 C-fold paper towels.

TowelMate™ Towel Rod Assembly — Consisting of a round Nylon Rod and (2) stainless steel Rod Screws for attachment, is field replaceable. Stainless steel Stop Screws (2) lock TowelMate Towel Rod assembly in place.

Waste Bin — Leak-proof rigid molded plastic. Removable for servicing. Capacity: 27.4 liters (7.2 gal.).

Dryer:

Cover — 18-8, type-304, 0.8mm (22-gauge) stainless steel. Cover is secured to mounting base with two pan-head stainless steel screws.

Mounting Base — 1.5mm (20-gauge) plated steel with three 6mm (0.236") diameter mounting holes.

Motor — Universal, 1/7 hp, 8000 rpm, on resilient mounting. Sealed ball bearing at drive-shaft end and self-lubricating sleeve bearing at nondrive end. Equipped with automatic thermal-overload switch and a thermistor.

Fans — Two balanced, double-inlet centrifugal fans are mounted on motor shaft; directs airflow over heating element at 71 cfm.

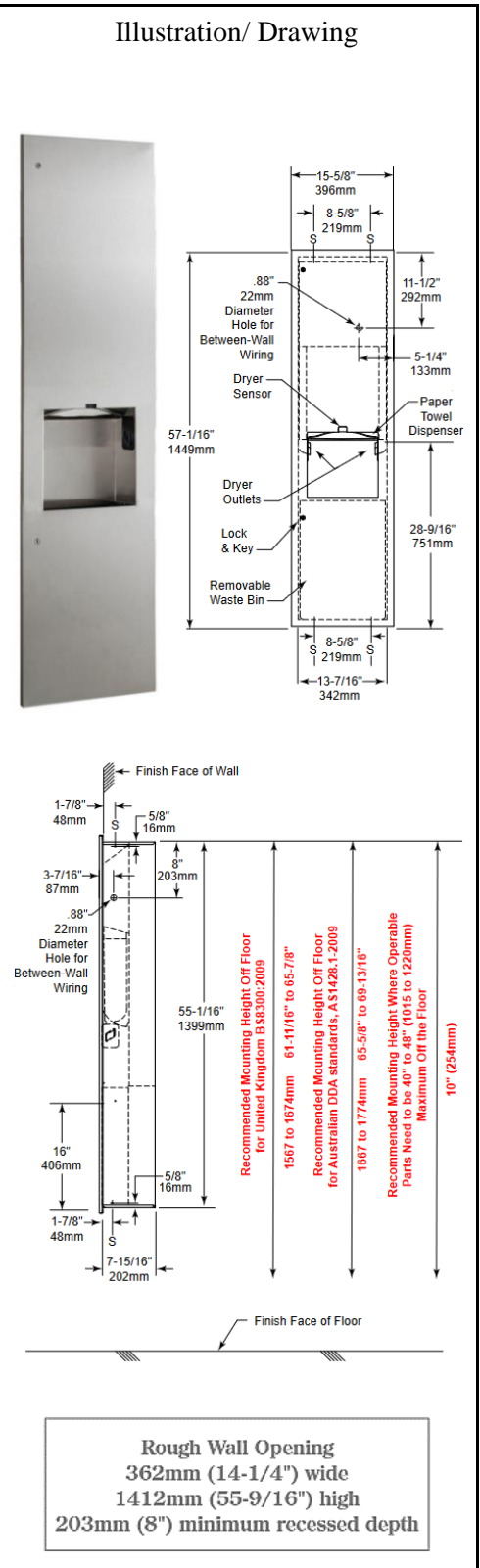
Fan Housing — Fire-retardant black molded plastic.

Heating Element — Two coiled nickel-chrome heating elements are mounted in mica frame and protected by automatic thermal-overload switches.

Heating elements heat air without hot spots — inaccessible to vandals.

Electronic Control — Infrared emitter receiver sensor, activation sensor PCB that is connected by two shielded wires to the dryer PCB. The sensor PCB is enclosed in a plastic housing and has an LED that flashes green when the dryer is ready, is solid green when the dryer is running and is solid red when the dryer is not ready to run.

Air Management System — Consists of two plastic ducts and two black plastic air nozzles attached to the cabinet below the towel tray.



* All information of the above is for the reference only. No prior notice is made if any changes.



Acme Sanitary Ware Co. Ltd.

1/F, Acme Building, 22-28 Nanking Street, Kowloon, Hong Kong

Tel: 2388 7171 Fax: 2710 8012

Email: acme@acmesanitary.com.hk

Website: www.acmesanitary.com.hk

Since 1949

PROJECT		REF		REV	ITEM CODE	
LOCATION		DATE			PAGE	

SANITARY WARE SPECIFICATION SHEET

OPERATION:
 Paper towel dispenser is designed to dispense C-fold or multi-fold paper towels without use of additional adapters or towel trays. To service waste bin, unlock door with key provided and remove waste container. Cable door-swing limiter prevents damage to washroom accessories and walls. Directed air nozzles shall prevent dryer from blowing into waste container. Dryer has no-touch operation. There are two modes of operation, dryer promotion encourages use of dryer and paper promotion encourages use of paper towels. The unit is set in the factory to dryer promotion. Infrared emitter receiver sensor monitors the activation zone. Sensor LED will turn green and flash when dryer is ready for use. LED will turn red when dryer is not ready. When unit is set to dryer promotion, the dryer and green LED will turn on when hands are held under air-outlet opening and across path of sensor. Remove hands from path of sensor and dryer stops. When the unit is set to paper promotion, there is a 3 second delay before the dryer will turn on. Infrared emitter receiver sensor monitors the activation zone. Sensor LED will turn green and flash when dryer is ready for use. LED will turn red when dryer is not ready. Electronic control has automatic shutoff approximately 1-1/2 minutes after dryer turns on if an inanimate object is placed in the activation zone. After inanimate object is removed, electronic control automatically resets itself and dryer operates normally. Dryer motor will never be allowed to get hotter than 70°C.

INSTALLATION:
 Provide framed rough wall opening 362mm (14-1/4") wide x 1412mm (55-9/16") high. Minimum recessed depth required from finish face of wall is 203mm (8"). Allow clearance for construction features that may protrude into rough wall opening from opposite wall. Coordinate with mechanical engineer to avoid pipes, vents, and conduits. If unit projects above top of wainscot, provide aluminum channel or other filler to eliminate gap between flange and finish face of wall. Mount unit in wall opening with shims between framing and cabinet at all points indicated by an S, then secure unit with 4.2 x 32mm (#8 x 1-1/4") sheet-metal screws (not furnished).

Dryer Wiring Instructions:
For 115-Volt Dryers — Connect ground wire to ground terminal marked , the black or hot wire to terminal marked L1, and neutral or white wire to terminal marked N.
For 208–240-Volt Dryers — Connect ground wire to ground terminal marked and the 208-240-volt wires to terminal marked L1 and L2.
Notes: Electronic sensor will detect movement within 100mm (4") of air-outlet nozzle. Use caution when choosing installation location. Consider proximity to doorways and other traffic areas. For installation instructions that include step-by-step installation procedures and details of electrical service connections, see Form No. 38030-269, which is packed with each shipment. This form is also available on our website or in advance upon request.

SPECIFICATION:
 Recessed Paper Towel Dispenser, Automatic Hand Dryer, And Waste Bin (3-in-1 unit) shall be type-304 stainless steel with all-welded construction; exposed surfaces shall have satin finish. Door shall be 1.2mm (18-gauge); have 14mm (9/16") 90° return edges; be secured to cabinet with concealed, full-length stainless steel piano-hinges; and equipped with a stainless steel cable door-swing limiter and two flush tumbler locks keyed like other Bobrick washroom accessories. Paper towel dispenser shall be capable of dispensing 600 multifold or 450 C-fold paper towels. Unit equipped with TowelMate consisting of a 90° return towel guide angle inside cabinet to prevent paper towels from falling forward out when door is opened for servicing and a Nylon Rod across the center of the towel tray to dispense paper towels one at a time. Waste bin shall be furnished with a removable, leak-proof, rigid molded plastic waste-container with a capacity of 27.4 liters (7.2 gal.). Directed air nozzles shall prevent dryer from blowing into waste bin. Hand dryer shall have a one-piece, 18-8, type-304, 0.8mm (22-gauge) stainless steel cover. Dryer mounting base shall be 1.5mm (20-gauge) plated steel with three 6mm (0.236") diameter mounting holes. Fan housings shall be fire-retardant molded black plastic. Dryer shall be equipped with dual air outlets that run through two vertical ducts and out the black plastic nozzles under the towel dispenser. Motor shall be 1/7 hp, universal type on resilient mounting with sealed ball bearing at drive-shaft end and self-lubricating sleeve bearing at nondrive end; equipped with automatic thermal-overload switch. Heating elements shall be located on outlet side of fan, shall heat air without hot spots, be inaccessible to vandals, and protected by an automatic thermal-overload switch. The dryer will be controlled by the activation sensor which is part of the electronic control. The electronic control will never allow the dryer motor to be hotter than 70°C. Dryer shall turn off automatically when hands are removed. Sensor shall automatically shut dryer off approximately 1-1/2 minutes after dryer turns on if an inanimate object is placed in activation zone. After inanimate object is removed, electronic sensor shall automatically reset itself and dryer shall operate normally. The electronic control will have an LED that will flash green when the dryer is ready, be solid green when the dryer is running and be solid red when the dryer is not ready. Unit be CE marked and cUL listed. Unit shall comply with EU Directive "Restriction of Hazardous Substance" (ROHS) requirements for non-use of certain hazardous substances in the production of electronic products. Unit shall be protected by a limited 1-year warranty from date of purchase on all parts except motor brushes.

Note:

* All information of the above is for the reference only. No prior notice is made if any changes.

Source: Bobrick Washroom Equipment Inc.



Acme Sanitary Ware Co. Ltd.

1/F, Acme Building, 22-28 Nanking Street, Kowloon, Hong Kong

Tel: 2388 7171 Fax: 2710 8012

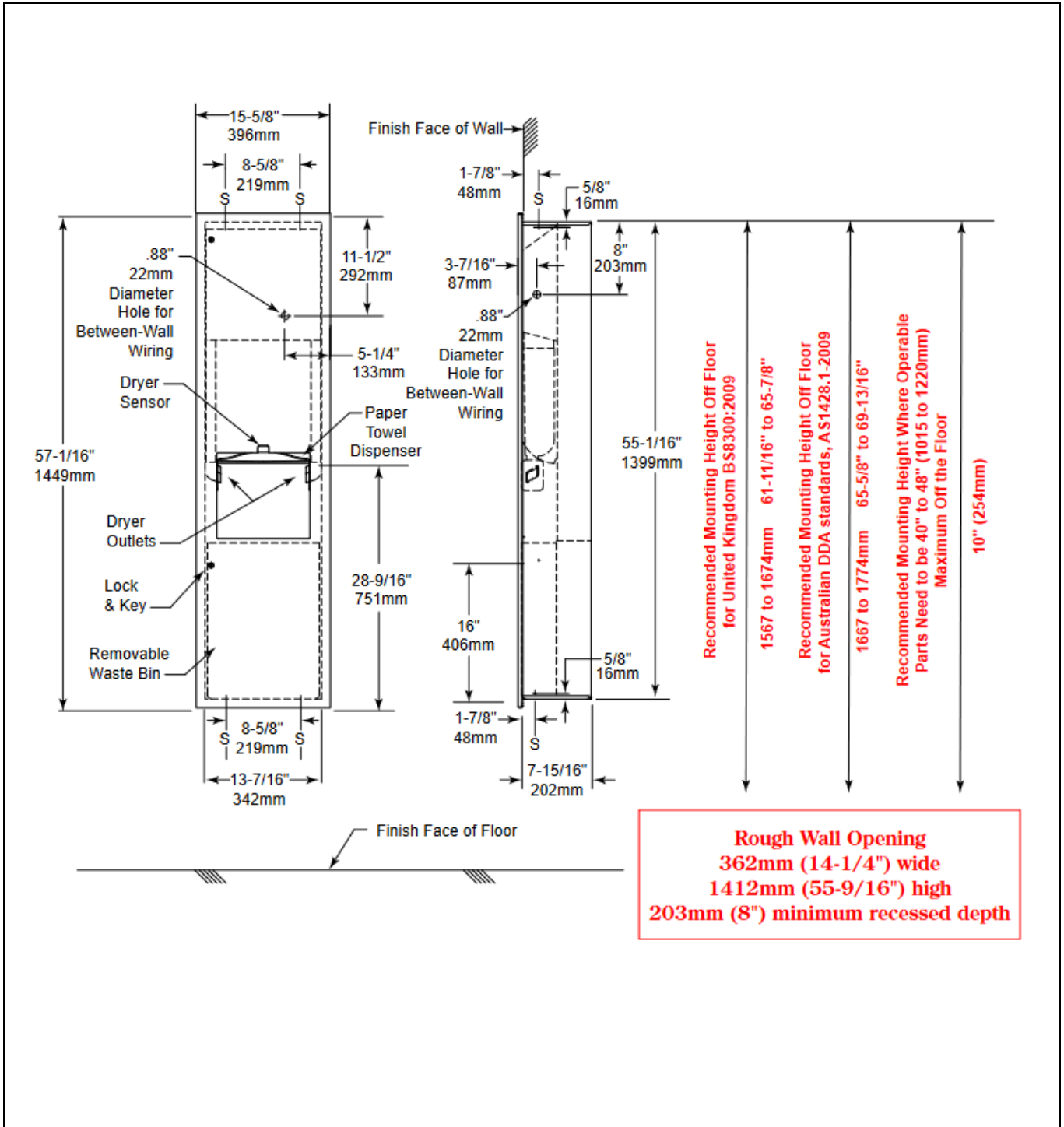
Email: acme@acmesanitary.com.hk

Website: www.acmesanitary.com.hk

Since 1949

PROJECT		REF		REV	ITEM CODE	
LOCATION		DATE			PAGE	

SANITARY WARE SPECIFICATION SHEET



Note:

* All information of the above is for the reference only. No prior notice is made if any changes.

Source: Bobrick Washroom Equipment Inc.